

# Product manual

PRODUCT RANGE

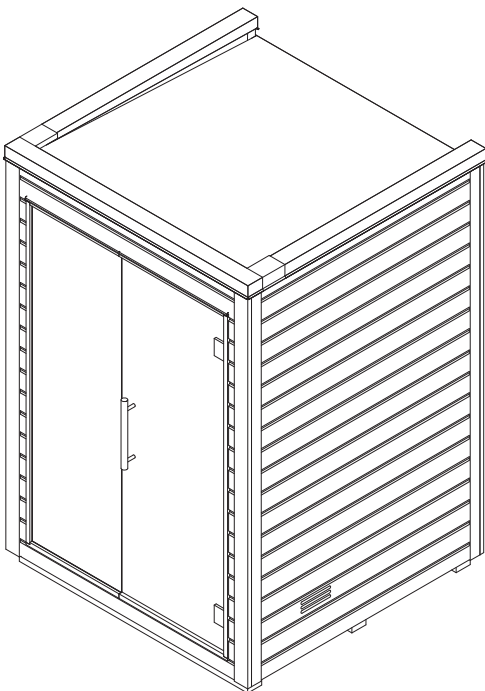
**Residential outdoor**

PRODUCT TYPE

**Outdoor sauna**

MODEL

**Mira**



## General information

Mira's minimal, space-saving design has everything you need for a calming, cozy outdoor sauna without overcomplicating things.

The sauna comes with a choice of two sizes; Mira S is designed to fit in the tiniest of spaces while Mira L offers a little extra width for added comfort.

Mira can be installed on terraces, balconies and smaller gardens, with its small, lightweight construction enabling easy assembly and installation, whether standing alone or recessed into a tight space.

Mira represents excellent value, with high-quality materials and an affordable price. Meanwhile, its intimate dimensions and efficient insulation mean it heats up quickly and offers surprisingly good soundproofing, ensuring a soothing, peaceful sauna experience.

# Technical specification

## Mira S

### FEATURE

Exterior finish	Profile C26 19 x 141 mm Natural oiled thermo-spruce or black painted thermo-spruce
Width	1620 mm
Depth	1582 mm
Height	2429 mm
Weight	915 kg excluding the heater
Interior finish	STP 15 x 90 mm, thermo-aspen
Construction	60 mm thick Cross-Laminated Timber (CLT)
Door placement	Left/right-handed door
Seats	2
Power supply	3P, 400 V, 50 Hz
Heater and control	Helo Vienna heater with built-in controller or Auroom Mura D with UKU Glass controller
Lights	LED strips behind backrest
Doors and windows	8 mm clear glass, black anodized soft anti-vibration seals

## Mira L

### FEATURE

Exterior finish	Profile C26 19 x 141 mm Natural oiled thermo-spruce or black painted thermo-spruce
Width	2222 mm
Depth	2182 mm
Height	2429 mm
Weight	1265 kg excluding the heater
Interior finish	STP 15 x 90 cm, thermo-aspen
Construction	60 mm thick Cross-Laminated Timber (CLT)
Door placement	Left/right-handed door
Seats	4
Power supply	3P, 400 V, 50 Hz
Heater and control	Auroom Core with UKU Glass controller
Lights	LED strips behind backrest
Doors and windows	8 mm clear glass, black anodized soft anti-vibration seals

## Intended use

Mira is a semi-independent product, which requires a power supply for the heater. It is intended for use as a dry Finnish-type sauna. Any use of the product other than the manufacturer's specified use is prohibited as it may result in unforeseen damage to the product, property or health.

## Construction

The elements of the Mira model are made with a CLT structure. Ventilation structures are placed beneath the internal and external cladding.

### BASE FRAME

Mira's impregnated softwood frame is constructed from painted 45 x 95 mm pieces.

### INTERIOR

Mira's interior has thermo-aspen cladding in profile STP and a large clear glass front that enables expansive views from within.

## EXTERIOR

Mira's exterior has thermo-spruce cladding in profile C26 with a choice of a natural or black finish. The extra seal on the glass provides a barrier to steam, moisture and wind.

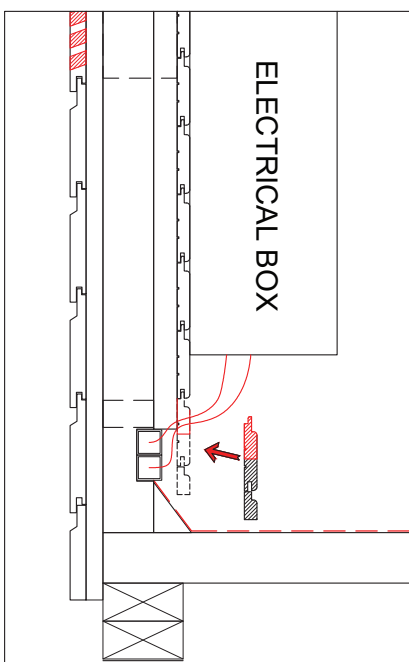
## GLASS WALL

The Mira model features a spacious glass section for an open view. 8 mm tempered glass is used, along with self-closing hinges. Seals are added to the glass wall during production to provide moisture and wind protection. The glass is equipped with vertical black aluminum seals. There are additional subtle seals at the top and bottom of the door.

## ELECTRICAL

All electrical connections must be made within the appropriate electrical panel. In standard models, a heat and moisture-resistant IP 55 electrical panel is installed inside the sauna, where necessary pre-connections have been made.

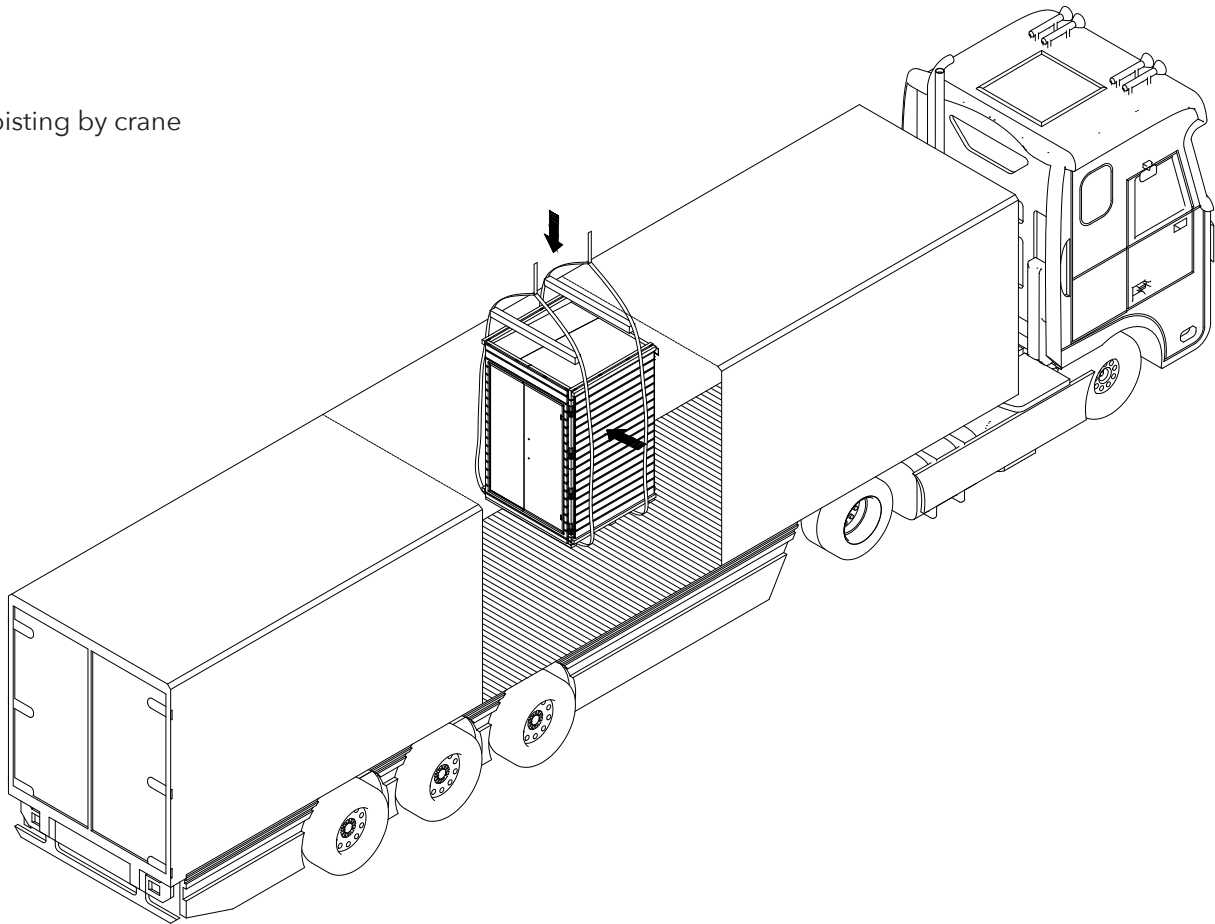
Bottom part  
Side view



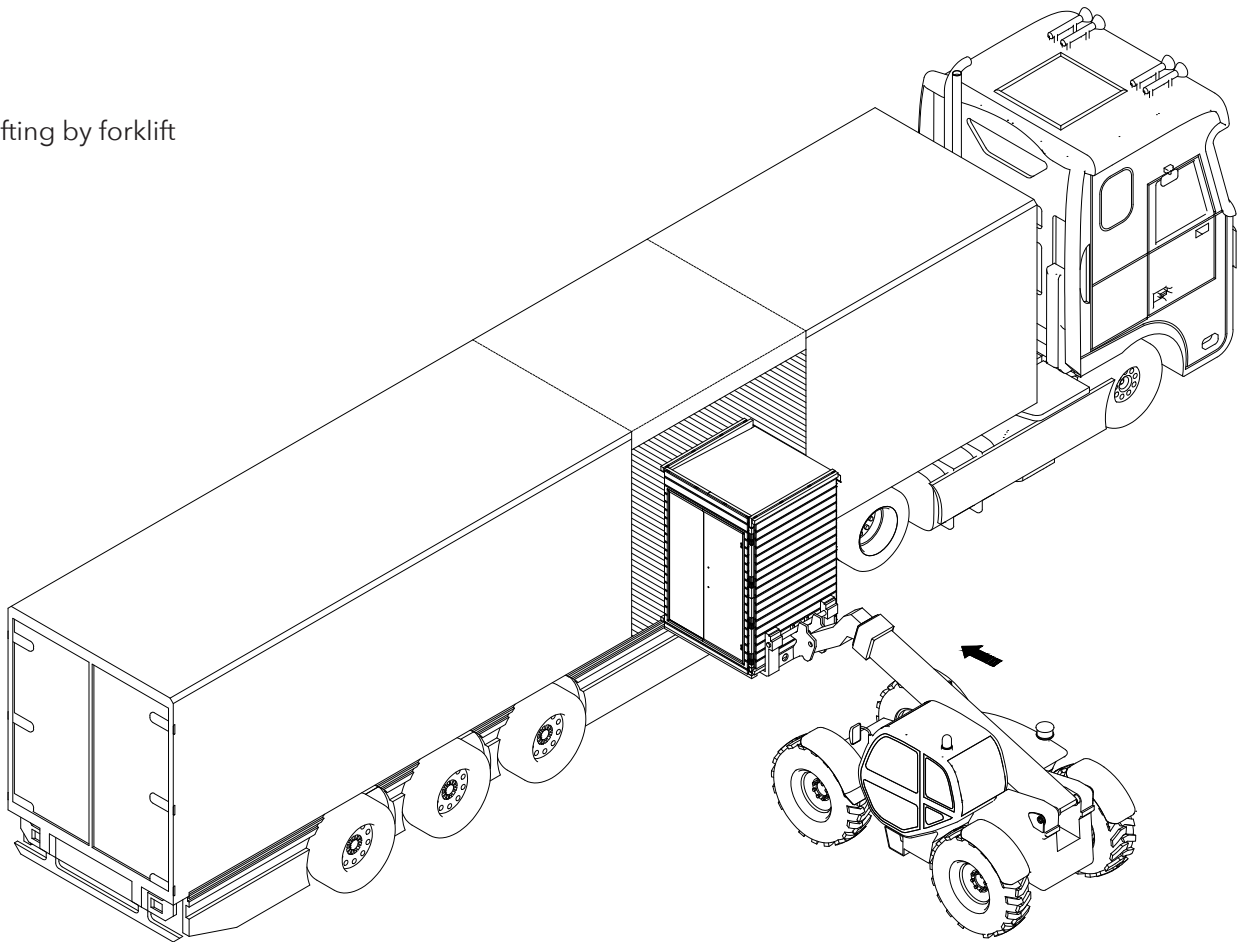
# Transport

Mira is modular and can be transported in one piece. It can be lifted by a forklift or hoisted by a crane. When lifting or hoisting, always follow any instructions on the packaging, precautions provided by the manufacturer and general safety protocols.

Hoisting by crane



Lifting by forklift



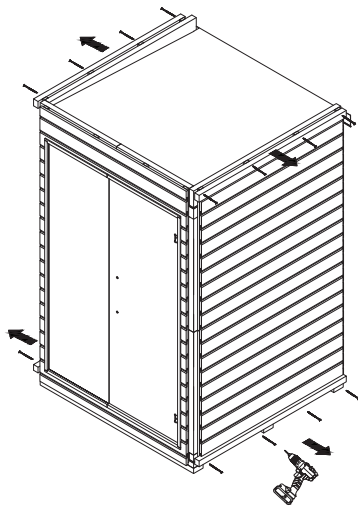
When lifting, please observe the pre-marked lifting points

# Installation

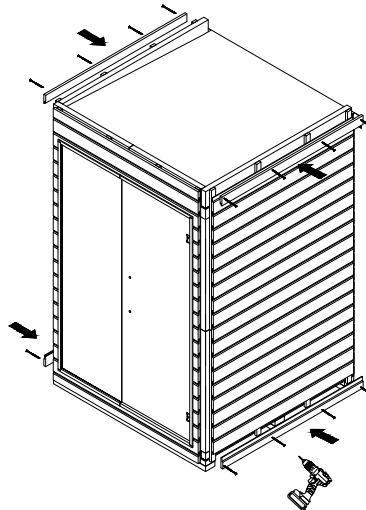
In order to perform as intended, this product must be installed on a previously prepared substructure that is level and stable. We recommend a concrete slab or another suitable substructure that fulfills these requirements.

## On-site works

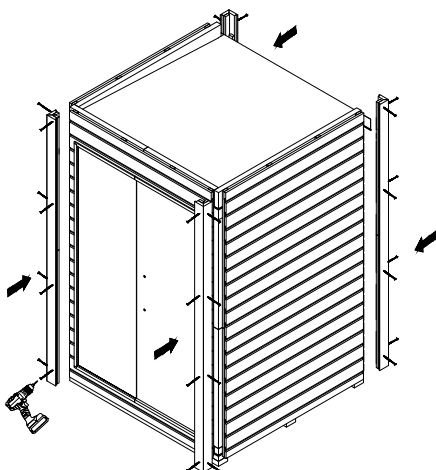
1. Transportation laths removal



2. Fixing loose cladding with screws.



3. Corner moulding installation with screws.



4. Fixing roof stains with black screws.

The material that is included as an extra is also marked accordingly

